

ARENDALE

3 Light Pendant Distressed Gold Leaf and White Frosted Glass With Bespoke Shade

The Arendal three light pendant is characterised by its unmistakable honeycomb structure, lavishly decorated in a hand-applied distressed gold leaf. The frosted tempered glass diffuser acts as a screen to soften the light, making it ideal for spaces where moderated light is required, such as bedrooms or dining areas.

The Arendal comes complete with a bespoke fabric shade.

The Arendal comes complete with a Bespoke Fabric Drum shade. Height is adjustable at the point of installation (37-130cm). Bulb not included; takes 3 x 60W max ES GLS. We recommend our BUL-E27-LED-17 bulb. [Click here to shop.](#) Dimmable when paired with suitable bulbs.

Bespoke Shades

Our high quality fabric shades, hand crafted in our Oxfordshire workshop by our sister brand The Light Shade Studio, with a choice of luxurious fabrics in 100% Dupion Silk, Satin or Linen in an array of shapes, sizes, and colours. If you would like to supply your own fabric, then please contact us to discuss your personalised requirements. Customise your shade by using our product configurator to see your design before placing an order.

Returns

As our bespoke or customised fittings are made to your specific specification, these are not covered by our standard returns policy. We are unable to offer refunds after the initial 24 hour cooling off period. Please see our [Terms and Conditions](#) for more details. None of the above affects your statutory rights where goods are faulty or not as described.

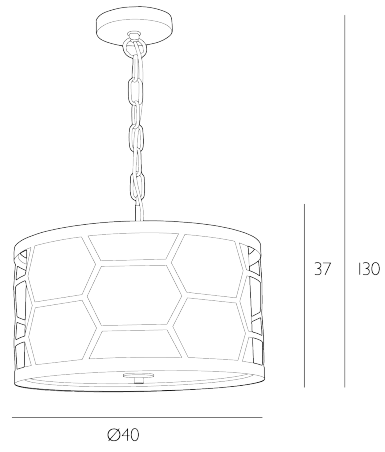


SPECIFICATIONS:

Product code:	ARE0335
Measurements:	H min37 - max130 x Ø40cm
Fixing Plate Dimensions:	H2.5 x Ø13cm
Lamp Replaceable:	Yes
Finish:	Distressed Gold Leaf & White Frosted Glass
Material:	Glass & Metal
Cable Colour:	Gold
Shade Included:	Shade Inc
Primary Bulb Detail:	3 x 60w max ES GLS
Bulb Included:	Lamps not included
Recommended Lamp:	BUL-E27-LED-17

Suitable:
Electrical Class:
Nett Weight (kg):

Indoor
Class 2 - Double Insulated
3.9 kg
□ HIA



Additional Information:
Supplied with 100cm of cable

www.davidhuntlighting.co.uk

sales@davidhuntlighting.co.uk

01295 672 628