

ANNABELLE

6 Light Pendant Polished Nickel With Bespoke Shade

With polished nickel plated arms sweeping from the centre to clasp the shade from below, the Annabelle 6 Light Pendant makes a statement wherever it's placed, hung low over a dining table, in a living room or in a sumptuous bedroom.

The Annabelle comes complete with a Bespoke Fabric Drum shade. Height is adjustable at the point of installation (44-140cm). Bulb not included; takes 6 x 40W max SES CNDL. We recommend our BUL-E14-LED-17 bulb. [Click here to shop.](#) Dimmable when paired with suitable bulbs.

Bespoke Shades

Our high quality fabric shades, hand crafted in our Oxfordshire workshop by our sister brand The Light Shade Studio, with a choice of luxurious fabrics in 100% Dupion Silk, Satin or Linen in an array of shapes, sizes, and colours. If you would like to supply your own fabric, then please contact us to discuss your personalised requirements. Customise your shade by using our product configurator to see your design before placing an order.

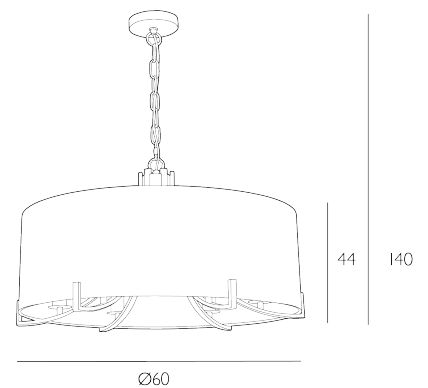
Returns

As our bespoke or customised fittings are made to your specific specification, these are not covered by our standard returns policy. We are unable to offer refunds after the initial 24 hour cooling off period. Please see our [Terms and Conditions](#) for more details. None of the above affects your statutory rights where goods are faulty or not as described.



SPECIFICATIONS:

Product code:	ANN0638
Measurements:	H min44 - max140 x Ø60cm
Finish:	Polished Nickel
Material:	Metal
Cable Colour:	Clear
Shade Included:	Shade Inc
Primary Bulb Detail:	6 x 40w max SES CNDL
Bulb Included:	Lamps not included
Recommended Lamp:	BUL-E14-LED-17
Suitable:	Indoor
Electrical Class:	Class 1 - Earthed
Nett Weight (kg):	3.1 kg



Additional Information:

Supplied with 100cm of cable

www.davidhuntlighting.co.uk

| *sales@davidhuntlighting.co.uk*

| *01295 672 628*