

TAPERED

Drum Bespoke Fabric Tapered Drum Shade 50cm

A contemporary tapered drum shade with a sharp rolled edge finish. The shade is designed for use as a pendant only and is compatible with a variety of electrified suspensions and coordinating silk and acrylic diffusers. The 50cm pendant shade can be used with a standard battern lampholder unit or our single electrified suspension and 3 light suspension (See SP0350).

Comes with a reducer ring so it is suitable for both E27 and E14 fittings.

To enhance the look, why not check out our Shade Accessories.

Suspensions: [Click here to shop.](#)

Bulb not included; takes 3 x 60W max to fit E27 (non elec) + Reducer GLS. We recommend our BUL-E27-LED-I 6 bulb. [Click here to shop.](#)

Bespoke Orders

This is a fully customisable product, hand crafted in our workshop located in the Cotswolds. You can contact us directly discuss your unique requirements, or alternatively you can customise your product by using our product configurator to see your design before placing an order.

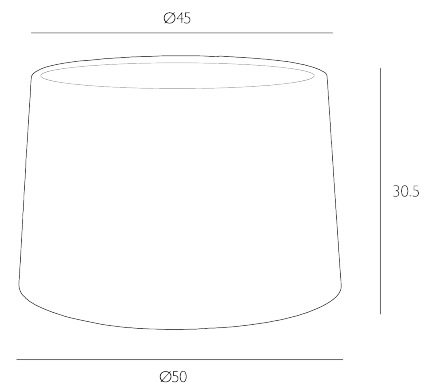
Returns

As our bespoke or customised fittings are made to your specific specification, these are not covered by our standard returns policy. We are unable to offer refunds after the initial 24 hour cooling off period. Please see our Terms and Conditions for more details. None of the above affects your statutory rights where goods are faulty or not as described.



SPECIFICATIONS:

Product code:	TAP50
Measurements:	H30 x Ø50cm
Lamp Replaceable:	Yes
Finish:	Bespoke
Material:	Fabric
Shade Included:	Not Required
Primary Bulb Detail:	3 x 60w max E27 (with E14 Reducer)
Bulb Included:	Lamps not included
Recommended Lamp:	BUL-E27-LED-I 6
Suitable:	Indoor
Nett Weight (kg):	0.9 kg



Additional Information:

Lamps not included. We recommend our BUL-E27-LED-16 bulb

www.davidhuntlighting.co.uk

| sales@davidhuntlighting.co.uk

| 01295 672 628