

SFB4875

E27 Semi Flush Suspension Antique Brass Bracket Only

This antique chrome Semi-Flush mounted suspension bracket is made from machined metal with knurled detail, giving an authentic industrial feel. The fitting is designed to be used either on it's own with our range of vintage inspired LED light bulbs or with any E27 easy fit shade.

The Accessories is sold as a fitting only; shades are sold separately.

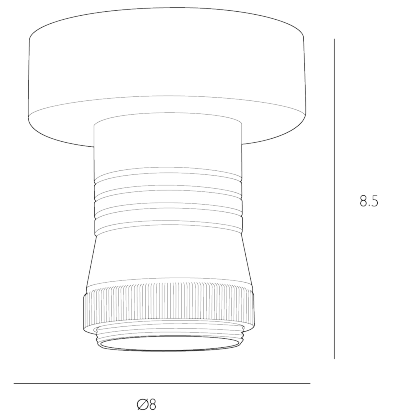
Bulb not included; takes 1 x 60W max ES GLS

Dimmable when paired with suitable bulbs.



SPECIFICATIONS:

| | |
|---------------------------|----------------------------|
| Product code: | SFB4875 |
| Measurements: | H8.5 x Ø8cm |
| Fixing Plate Dimensions: | H2.5 x Ø8cm |
| Primary Associated Shade: | AIS6503 |
| Lamp Replaceable: | Yes |
| Finish: | Antique Brass |
| Material: | Metal |
| Shade Included: | Fitting Only |
| Primary Bulb Detail: | 1 x 60w max ES GLS |
| Bulb Included: | Lamp not included |
| Suitable: | Indoor |
| Electrical Class: | Class 2 - Double Insulated |
| Nett Weight (kg): | 0.2 kg |



Additional Information:

Lamp not included. | Shade not included; sold as fitting only. We recommend our AIS6503 shade