

SFB486 I

E27 Semi Flush Suspension Antique Chrome Bracket Only

This antique chrome Semi-Flush mounted suspension bracket is made from machined metal with knurled detail, giving an authentic industrial feel. The fitting is designed to be used either on it's own with our range of vintage inspired LED light bulbs or with any E27 easy fit shade.

The Accessories is sold as a fitting only; shades are sold separately.

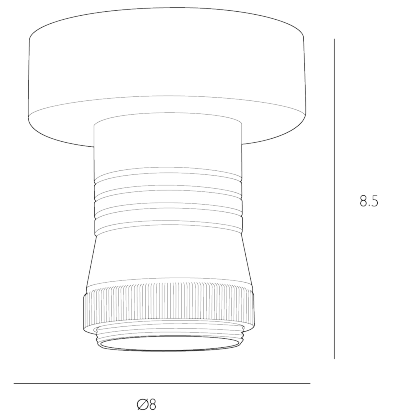
Bulb not included; takes 1 x 60W max ES GLS

Dimmable when paired with suitable bulbs.



SPECIFICATIONS:

Product code:	SFB486 I
Measurements:	H8.5 x Ø8cm
Fixing Plate Dimensions:	H2.5 x Ø8cm
Primary Associated Shade:	AIS6503
Lamp Replaceable:	Yes
Finish:	Antique Chrome
Material:	Metal
Shade Included:	Fitting Only
Primary Bulb Detail:	1 x 60w max ES GLS
Bulb Included:	Lamp not included
Suitable:	Indoor
Electrical Class:	Class 2 - Double Insulated
Nett Weight (kg):	0.2 kg



Additional Information:

Lamp not included. | Shade not included; sold as fitting only. We recommend our AIS6503 shade