

## POLO

### *6 Light Pendant Bespoke and Polished Chrome With Bespoke Shade*

The Polo 85cm 6 light pendant fitting features a doughnut style silk shade with frosted glass and polished chrome detailing. The shade shown is manufactured using a natural handwoven 100% silk dupion on a white laminate lining, with a sharp rolled edge finish. To create an impressive two tone effect shades can be lined with any fabric from our extensive palette of luxurious silk dupions, fine linens and smooth satin fabrics. At the base of the pendant is a frosted tempered glass diffuser, which is secured in place by three decorative polished chrome plates. The shade is supported by three tension cables which enables the overall height to be adjusted during installation to a maximum of 3 metres.



The Polo comes complete with a Bespoke Fabric Drum shade. Height is adjustable at the point of installation (50-300cm). Bulb not included; takes 6 x 60W max ES GLS. We recommend our BUL-E27-LED-17 bulb. [Click here to shop.](#) Dimmable when paired with suitable bulbs.

#### Bespoke Shades

Our high quality fabric shades, hand crafted in our Oxfordshire workshop by our sister brand The Light Shade Studio, with a choice of luxurious fabrics in 100% Dupion Silk, Satin or Linen in an array of shapes, sizes, and colours. If you would like to supply your own fabric, then please contact us to discuss your personalised requirements. Customise your shade by using our product configurator to see your design before placing an order.

#### Returns

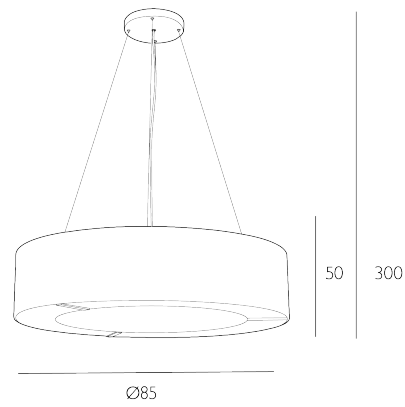
As our bespoke or customised fittings are made to your specific specification, these are not covered by our standard returns policy. We are unable to offer refunds after the initial 24 hour cooling off period. Please see our [Terms and Conditions](#) for more details. None of the above affects your statutory rights where goods are faulty or not as described.

---

## SPECIFICATIONS:

Product code:	POL06
Measurements:	H min50 - max300 x Ø85cm
Fixing Plate Dimensions:	H2.5 x Ø20cm
Lamp Replaceable:	Yes
Finish:	Bespoke & Polished Chrome
Material:	Fabric & Metal
Shade Included:	Shade Inc
Primary Bulb Detail:	6 x 60w max ES GLS
Bulb Included:	Lamps not included

Recommended Lamp: BUL-E27-LED-17  
Suitable: Indoor  
Electrical Class: Class 2 - Double Insulated  
Nett Weight (kg): 11.3 kg  
☐ HIA



### ***Additional Information:***

This fitting, including its packaging, may not fit through entryways less than 65cm wide. Please check before placing your order | Please be aware this fitting weighs 11.3kg, please ensure you have adequate fixings and support to raise and install this fitting in the intended location

[www.davidhuntlighting.co.uk](http://www.davidhuntlighting.co.uk)

[sales@davidhuntlighting.co.uk](mailto:sales@davidhuntlighting.co.uk)

01295 672 628