

POLO

4 Light Pendant Bespoke and Polished Chrome

The Polo 50cm 4 light pendant fitting features a doughnut style silk shade with frosted glass and polished chrome detailing. The shade shown is manufactured using a natural handwoven 100% silk dupion on a white laminate lining, with a sharp rolled edge finish. To create an impressive two tone effect shades can be lined with any fabric from our extensive palette of luxurious silk dupions, fine linens and smooth satin fabrics. At the base of the pendant is a frosted tempered glass diffuser, which is secured in place by three decorative polished chrome plates. The shade is supported by three tension cables which enables the overall height to be adjusted during installation to a maximum of 3 metres.

Height is adjustable at the point of installation (35-300cm).

Bulb not included; takes 4 x 60W max ES GLS. We recommend our BUL-E27-LED-17 bulb. [Click here to shop.](#)

Dimmable when paired with suitable bulbs.

Bespoke Orders

This is a fully customisable product, hand crafted in our workshop located in the Cotswolds. You can contact us directly discuss your unique requirements, or alternatively you can customise your product by using our product configurator to see your design before placing an order.

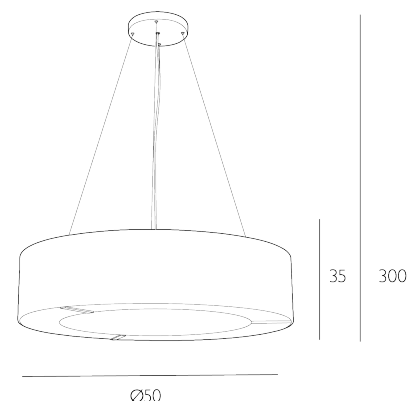
Returns

As our bespoke or customised fittings are made to your specific specification, these are not covered by our standard returns policy. We are unable to offer refunds after the initial 24 hour cooling off period. Please see our Terms and Conditions for more details. None of the above affects your statutory rights where goods are faulty or not as described.



SPECIFICATIONS:

Product code:	POL04
Measurements:	H min35 - max300 x Ø50cm
Fixing Plate Dimensions:	H2.5 x Ø12cm
Lamp Replaceable:	Yes
Finish:	Bespoke & Polished Chrome
Material:	Fabric & Metal
Shade Included:	Not Required
Primary Bulb Detail:	4 x 60w max ES GLS
Bulb Included:	Lamps not included
Recommended Lamp:	BUL-E27-LED-17
Suitable:	Indoor
Electrical Class:	Class 2 - Double Insulated
Nett Weight (kg):	3.5 kg





Additional Information:

Lamps not included. We recommend our BUL-E27-LED-17 bulb | Height is adjustable at the point of installation (35-300cm)

www.davidhuntlighting.co.uk

| *sales@davidhuntlighting.co.uk*

| *01295 672 628*