

ELLINGTON

2 Light Wall Light Bespoke LED

This versatile and simple elegance of the Ellington double wall light creates a statement in any contemporary interior setting. The wall light is supplied with a frosted, acrylic diffuser which neatly sits at the base of the shade, giving a beautifully diffused effect onto the area below. With an adjustable LED reading light, this wall light is an ideal choice located beside a bed.

The Ellington comes complete with a bespoke fabric shade.

Bulb not included; takes 2 x 10W max ES GLS. We recommend our BUL-E27-LED-17 bulb. [Click here to shop.](#)

Dimmable when paired with suitable bulbs.

Bespoke Orders

This is a fully customisable product, hand crafted in our workshop located in the Cotswolds. You can contact us directly discuss your unique requirements, or alternatively you can customise your product by using our product configurator to see your design before placing an order.

Returns

As our bespoke or customised fittings are made to your specific specification, these are not covered by our standard returns policy. We are unable to offer refunds after the initial 24 hour cooling off period. Please see our Terms and Conditions for more details. None of the above affects your statutory rights where goods are faulty or not as described.

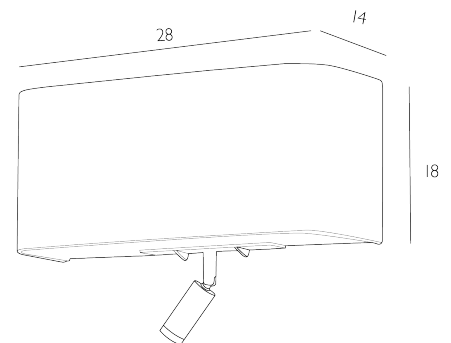


SPECIFICATIONS:

Product code:	ELL71
Measurements:	D15 x H15 x W35cm
Fixing Plate Dimensions:	D4 x H15 x W22cm
Shade Dimensions:	D14 x H15.5 x W35.5cm
Finish:	Bespoke
Material:	Fabric
Shade Included:	Not Required
Primary Bulb Detail:	2 x 10w max ES GLS
Bulb Included:	Lamps not included
Recommended Lamp:	BUL-E27-LED-17
Switch Type:	Rocker
Suitable:	Indoor
Electrical Class:	Class 2 - Double Insulated
Nett Weight (kg):	1.3 kg



LED



Additional Information:

Lamps not included. We recommend our BUL-E27-LED-17 bulb

www.davidhuntlighting.co.uk

| *sales@davidhuntlighting.co.uk*

| *01295 672 628*